

# Spare Parts Catalogue

*P/N 1-960421-03  
Edition 1  
January 2000*

# EasyCoder E4 Bar Code Label Printer

 **ntermec**  
Technologies Corporation

---

A **UNOVA** Company

# Introduction

## Contents

<b>1. Introduction</b>	Contents .....	1
	Spare Parts Policy .....	2
	General View .....	3
<b>2. Spare Parts</b>	Covers .....	4
	Print Unit .....	5
	Transfer Ribbon Unit .....	6
	Media Guides and Take-Up Spool .....	7
	Media Hanger Unit .....	8
	CPU Board .....	9
	Interface Module .....	10
	Ribbon/Media Sensor .....	11
	Label-Taken Sensor .....	12
	Motor and Belts .....	13
	Paper Cutter .....	14
	Miscellaneous .....	15

*Intermec EasyCoder E4  
Spare Parts Catalogue  
Edition 1, January 2000  
Part No. 1-960421-03*

© Copyright Intermec Printer AB, 2000. All rights reserved.  
Published in Sweden.

*EasyCoder is a registered trademark of Intermec Technologies Corp.*

## Spare Parts Policy

This Spare Parts Catalogue contains information on items presently available as spare parts and accessories for the Intermec EasyCoder E4 and E4 LinerLess printer models.

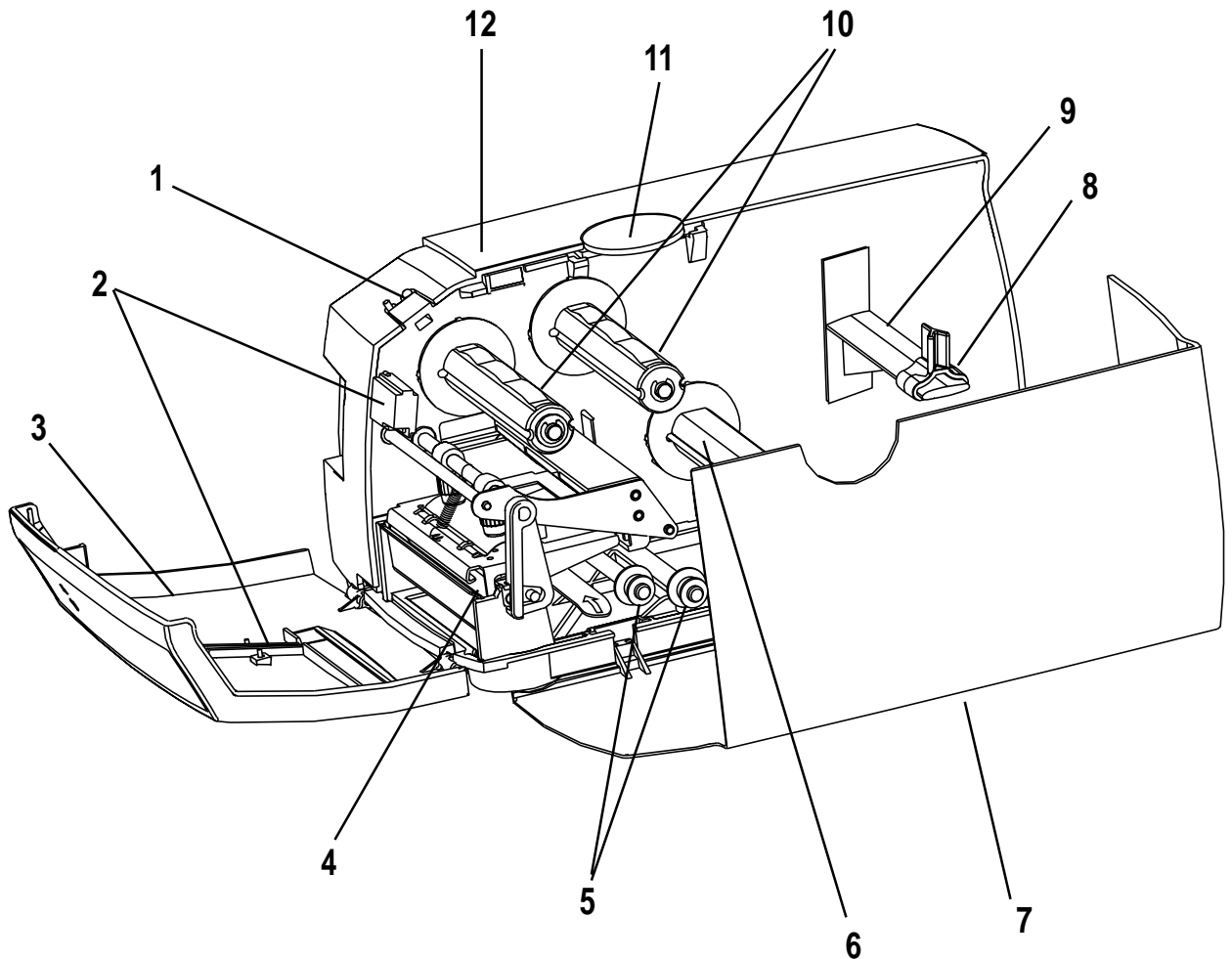
You will notice that, as a rule, we supply only assembled spare parts. Our policy is based on the conviction that this is a more rational way of stocking spares and supplying adequate service as well.

For further information about parts not listed in this volume, please contact our Spare Parts Sales Department.

Information in this manual is subject to change without prior notice and does not represent a commitment on the part of Intermec.

**For updated information,  
please refer to the latest edition  
of the Spare Parts Price List.**

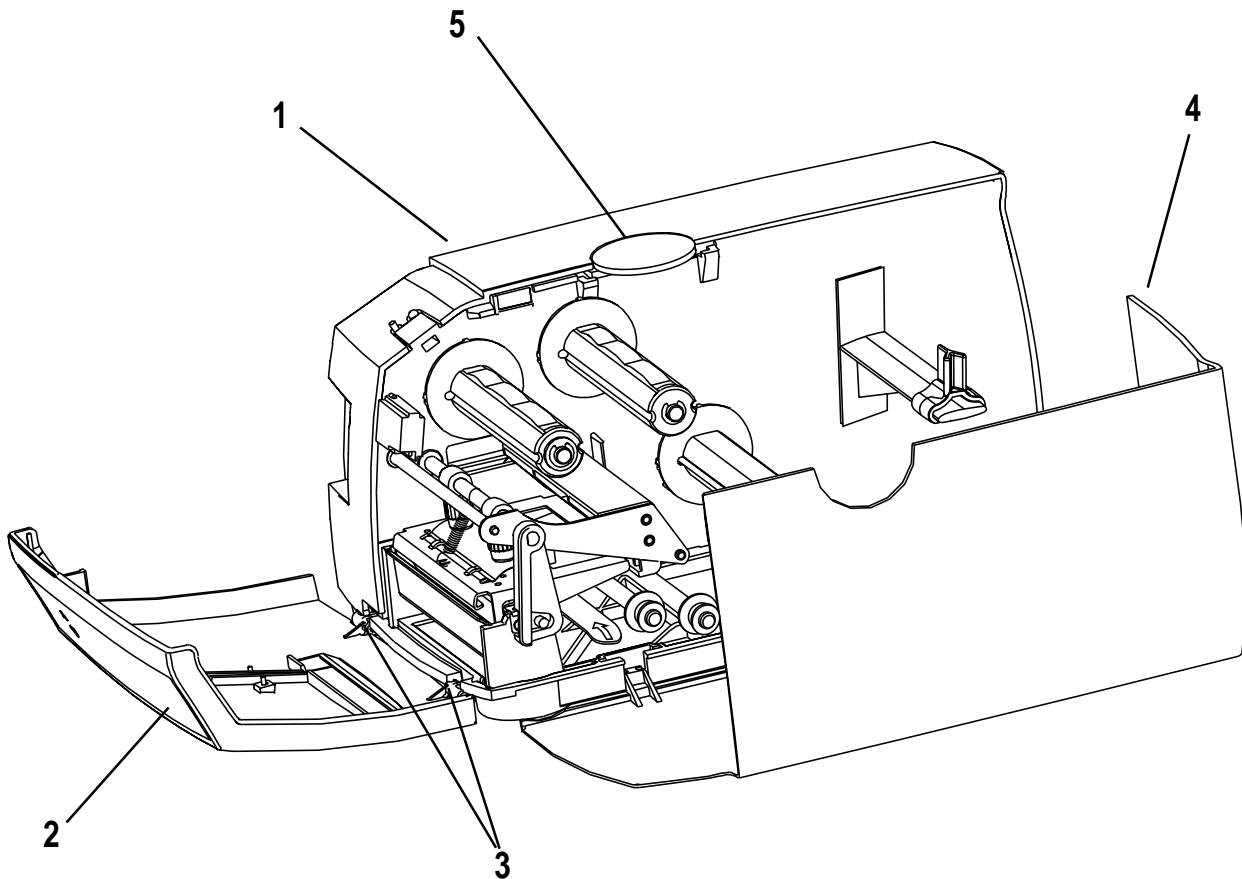
## General View



Pos.	Part No.	Description	Remarks
1	<b>1-301704-90</b>	Interface Module	See page 10
2	<b>1-301217-90</b>	Label Taken Sensor assy.	See page 12
3	–	Front Cover assy.	See page 4
4	–	Print Unit and Ribbon/Media Sensor	See page 5 and 11
5	–	Media Guides	See page 7
6	<b>1-301286-02</b>	Media Take-Up Pin ( <i>not LinerLess</i> )	See page 7
7	<b>1-301205-90</b>	User Cover assy	See page 4
8	<b>1-301212-00</b>	Media Hanger Guide	See page 8
9	<b>1-301211-01</b>	Media Hanger	See page 8
10	–	Transfer Ribbon Mechanism ( <i>not LinerLess</i> )	See page 6
11	<b>1-301213-02</b>	Release Button	See page 4
12	<b>1-301204-02</b>	Electrics Cover	See page 4
–	–	CPU board, Motor and Belts	See page 9 and 13
–	<b>1-301551-00</b>	Paper Cutter ( <i>not LinerLess</i> )	See page 14
–	<b>0-493201-00</b>	Bar Code Wand	See page 15
–	–	Miscellaneous	See page 15

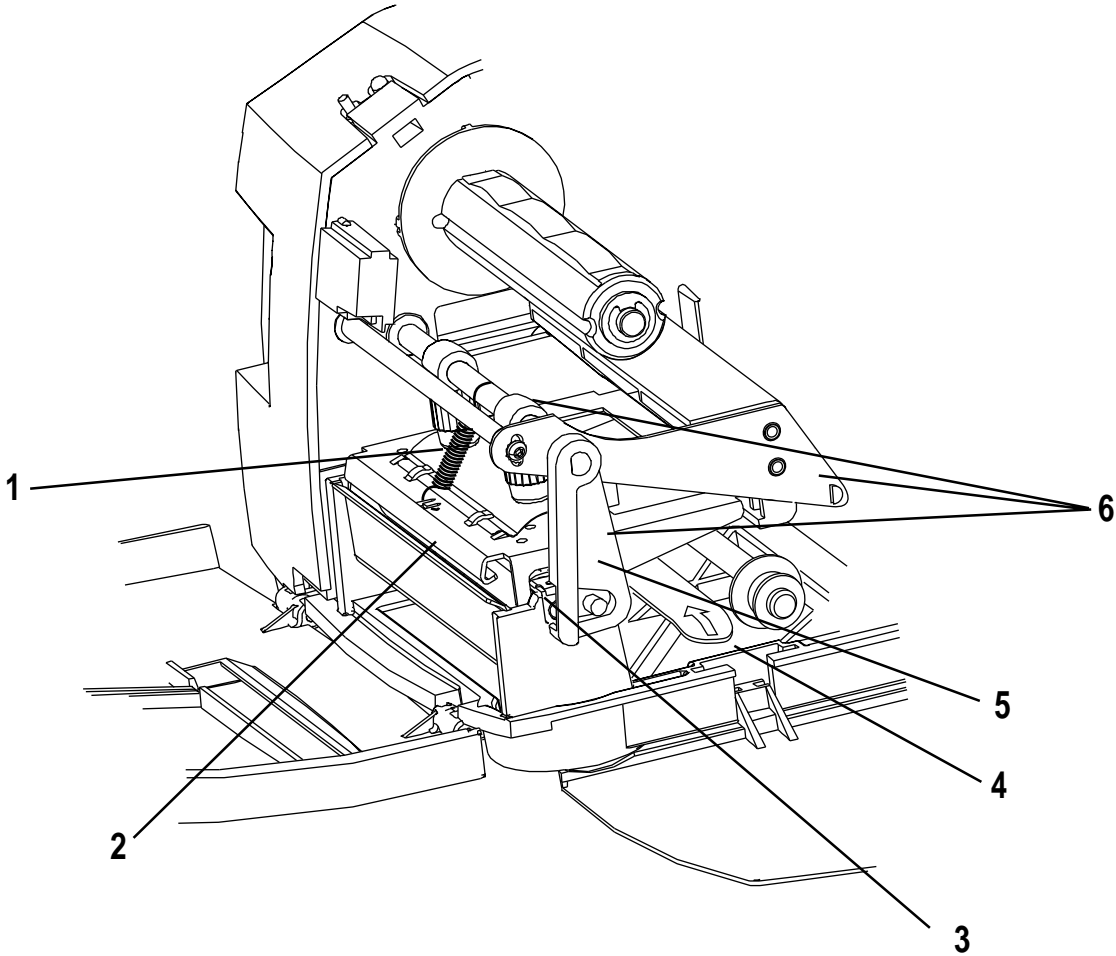
# Spare Parts

## Covers



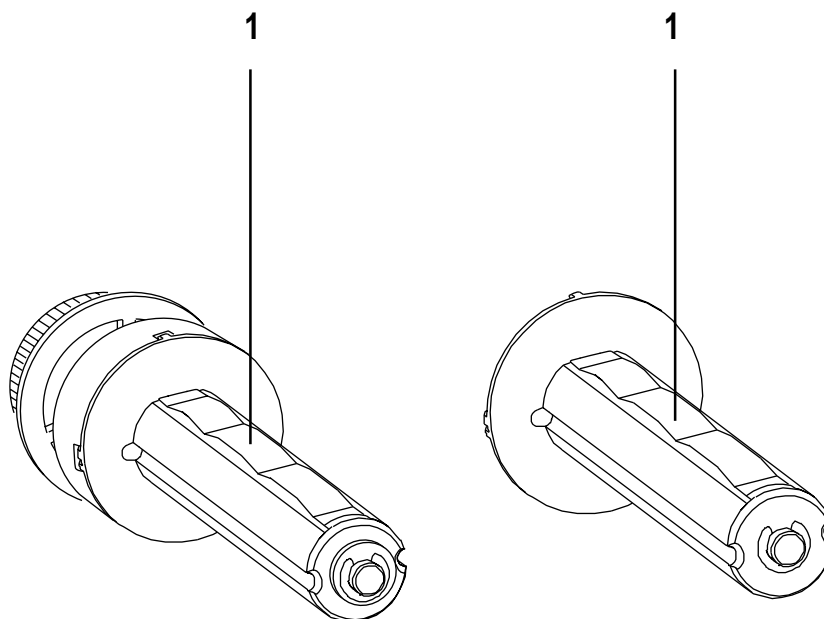
Pos.	Part No.	Description	Remarks
1	1-301204-02	Electronics Cover	
2	1-301203-90	Front Cover assy. ( <i>std. model</i> )	Incl. hinge pins & light guide
2	1-301115-90	Front Cover assy. ( <i>LinerLess model</i> )	Incl. hinge pins, tear-off edge & light guide
3	1-301293-02	Hinge pin	
4	1-301205-91	User Cover assy.	
5	1-301213-02	Release Button	

Print Unit



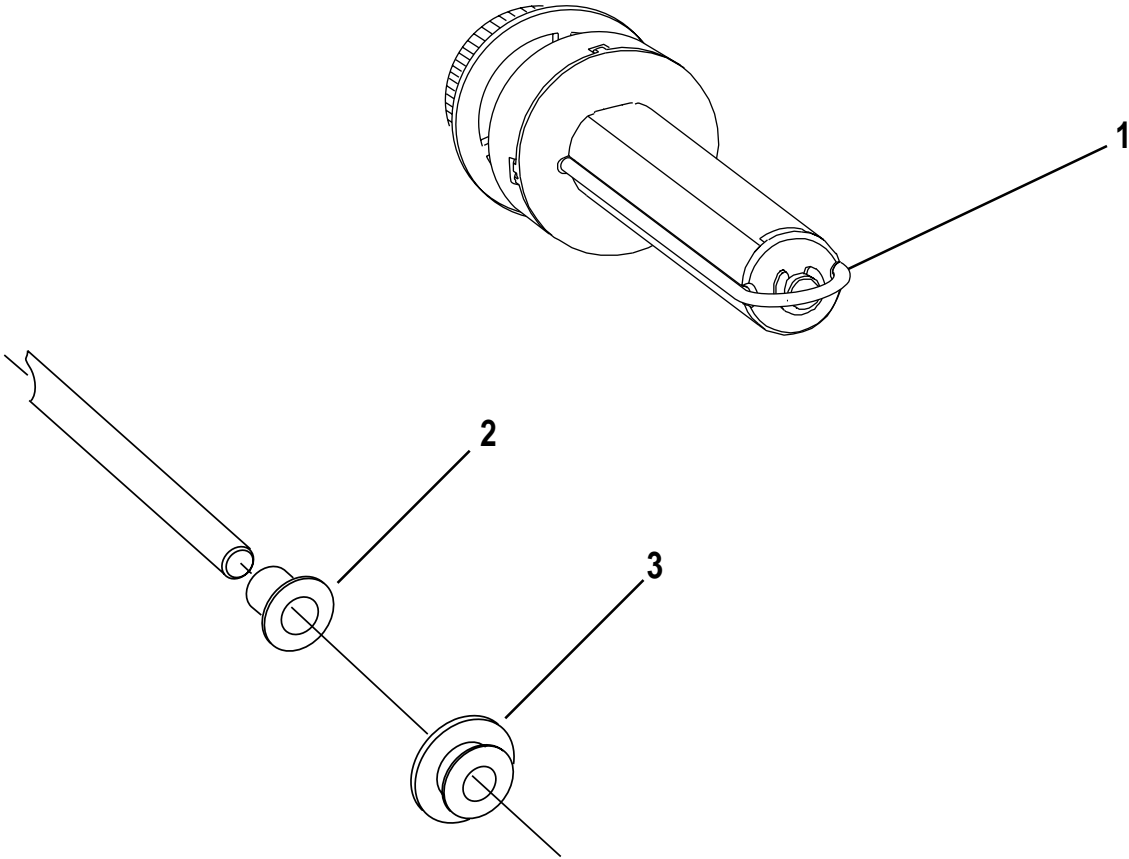
Pos.	Part No.	Description	Remarks
1	1-301329-00	Tension Spring	
2	1-301100-90	Printhead assy 8 dots/mm	
3	1-301362-90	Platen Roller assy. ( <i>std. model</i> )	Incl. pulley and 2 bearings
3	1-301341-90	Platen Roller assy. ( <i>LinerLess. model</i> )	Incl. pulley and 2 bearings
4	1-301311-00	Media Guide LSS	
5	1-301223-00	Printhead Handle	From Serial No. 14352
6	1-301105-11	Replacement Kit (shaft + bracket + handle)	Before Serial No. 14352

## Transfer Ribbon Unit (not in LinerLess model)



Pos.	Part No.	Description	Remarks
1	1-301244-02	Ribbon Leaf Spring	Same on ribbon rewind and unwind units.

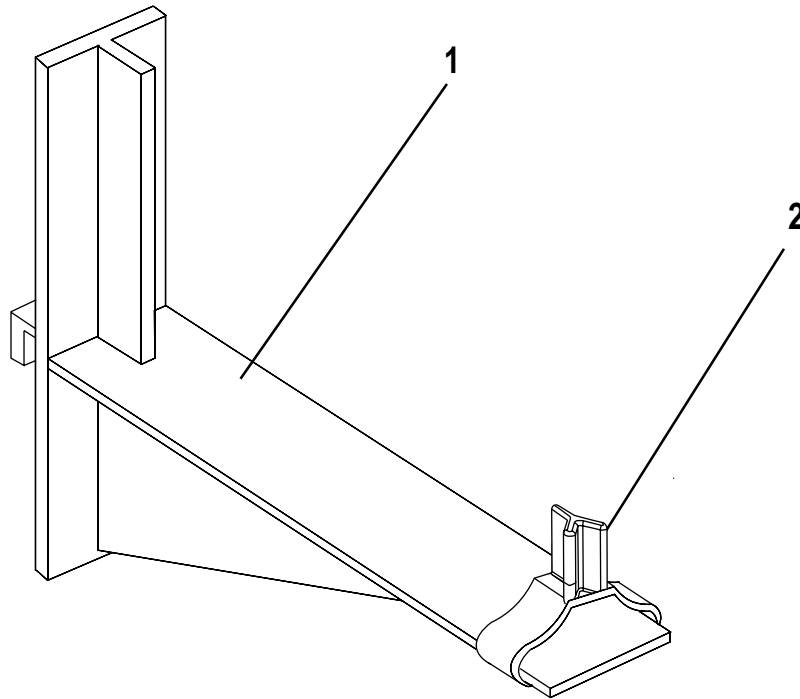
**Media Guides and Take-Up Spool**



Pos.	Part No.	Description	Remarks
1	<b>1-301286-02</b>	Media Take-Up Pin <i>(not in LinerLess model)</i>	
2	<b>1-301225-01</b>	Media Guide Inner	
3	<b>1-301226-20</b>	Media Guide Outer	

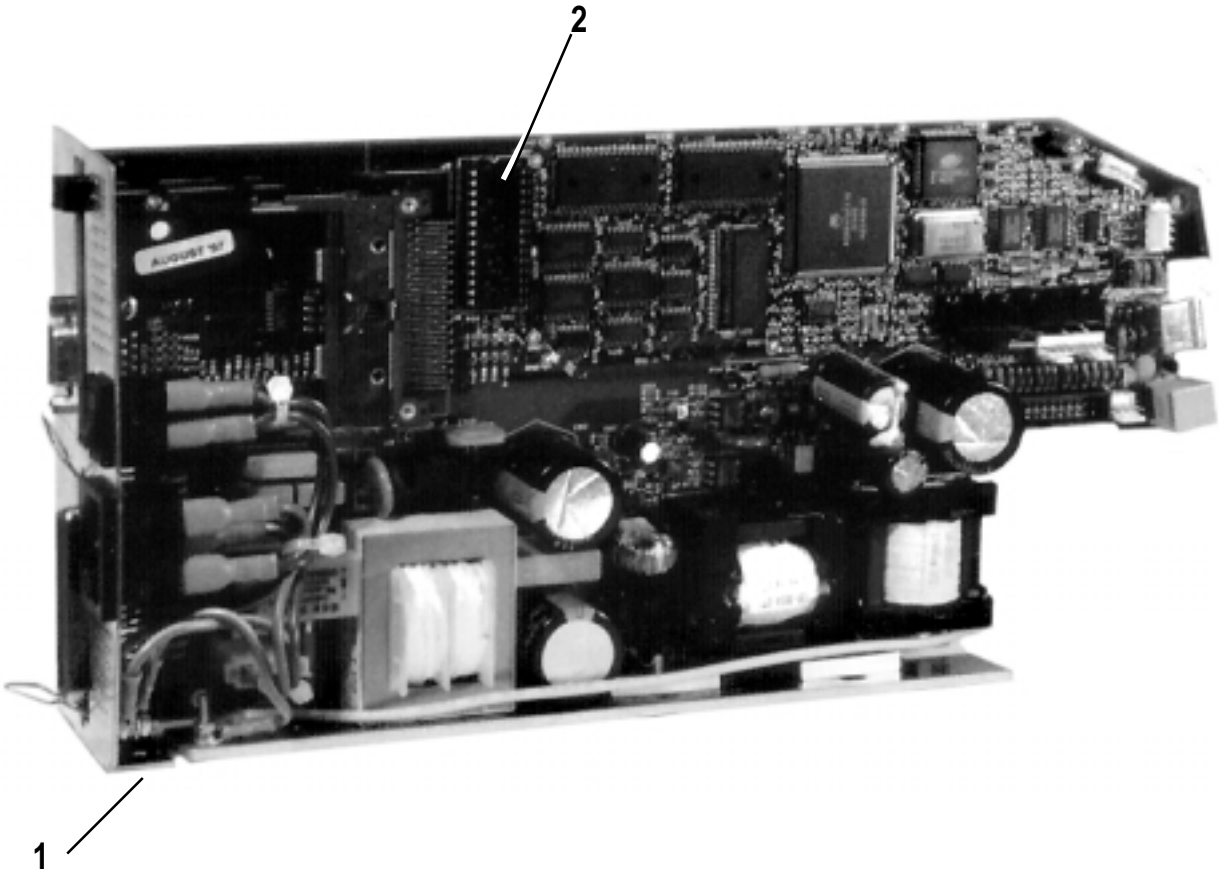


## Media Hanger Unit



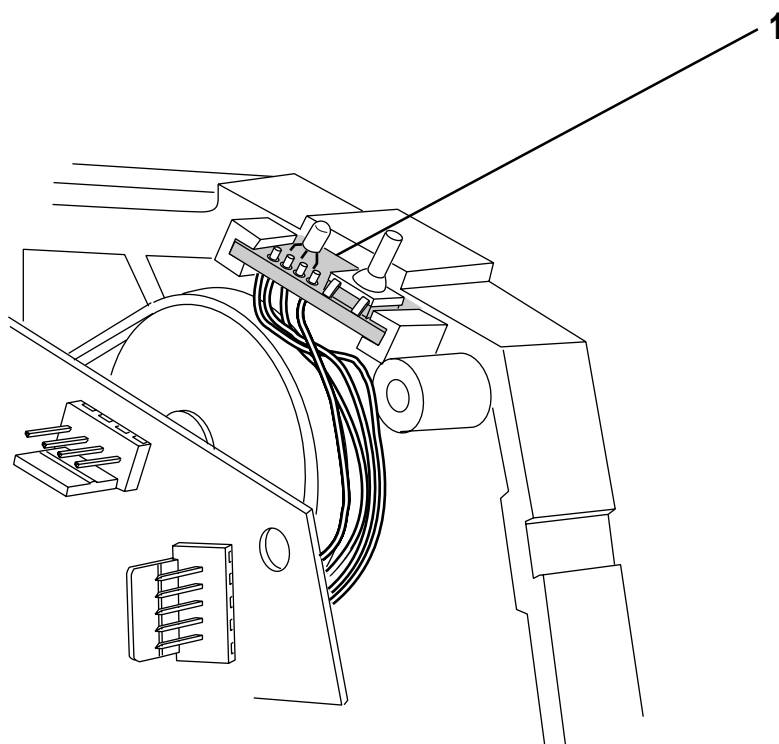
Pos.	Part No.	Description	Remarks
1	<b>1-301211-02</b>	Media Hanger	
2	<b>1-206247-00</b>	Paper Guide	

# CPU Board



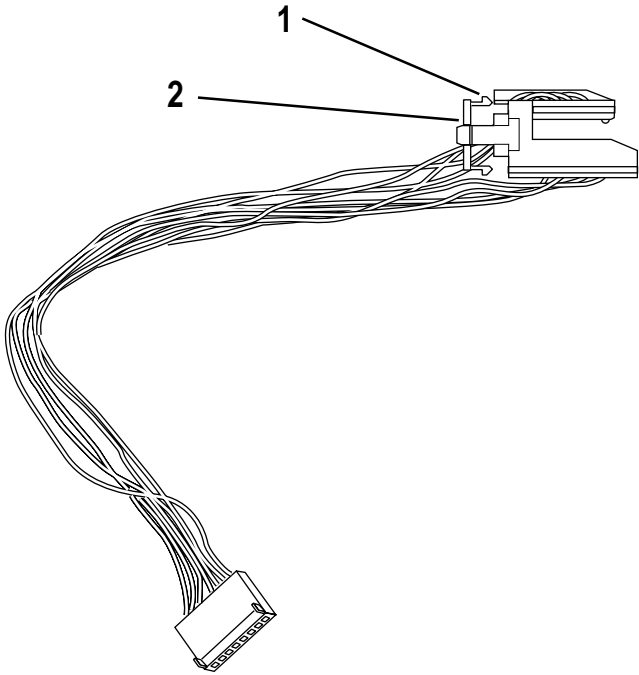
Pos.	Part No.	Description	Remarks
1	1-301700-90	CPU Board assy.	
2	1-956028-00	Real Time Clock Circuit	

## Interface Module



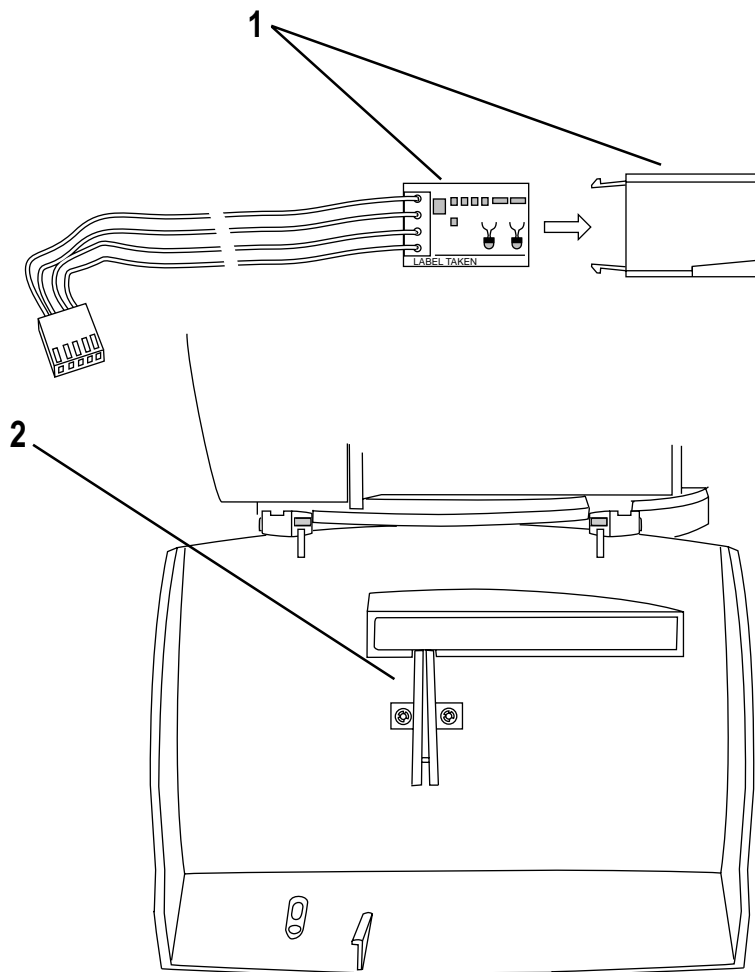
Pos.	Part No.	Description	Remarks
1	1-301704-90	Interface Module assy.	Front panel LED and print button switch. Incl. cable.

Ribbon/Media Sensor



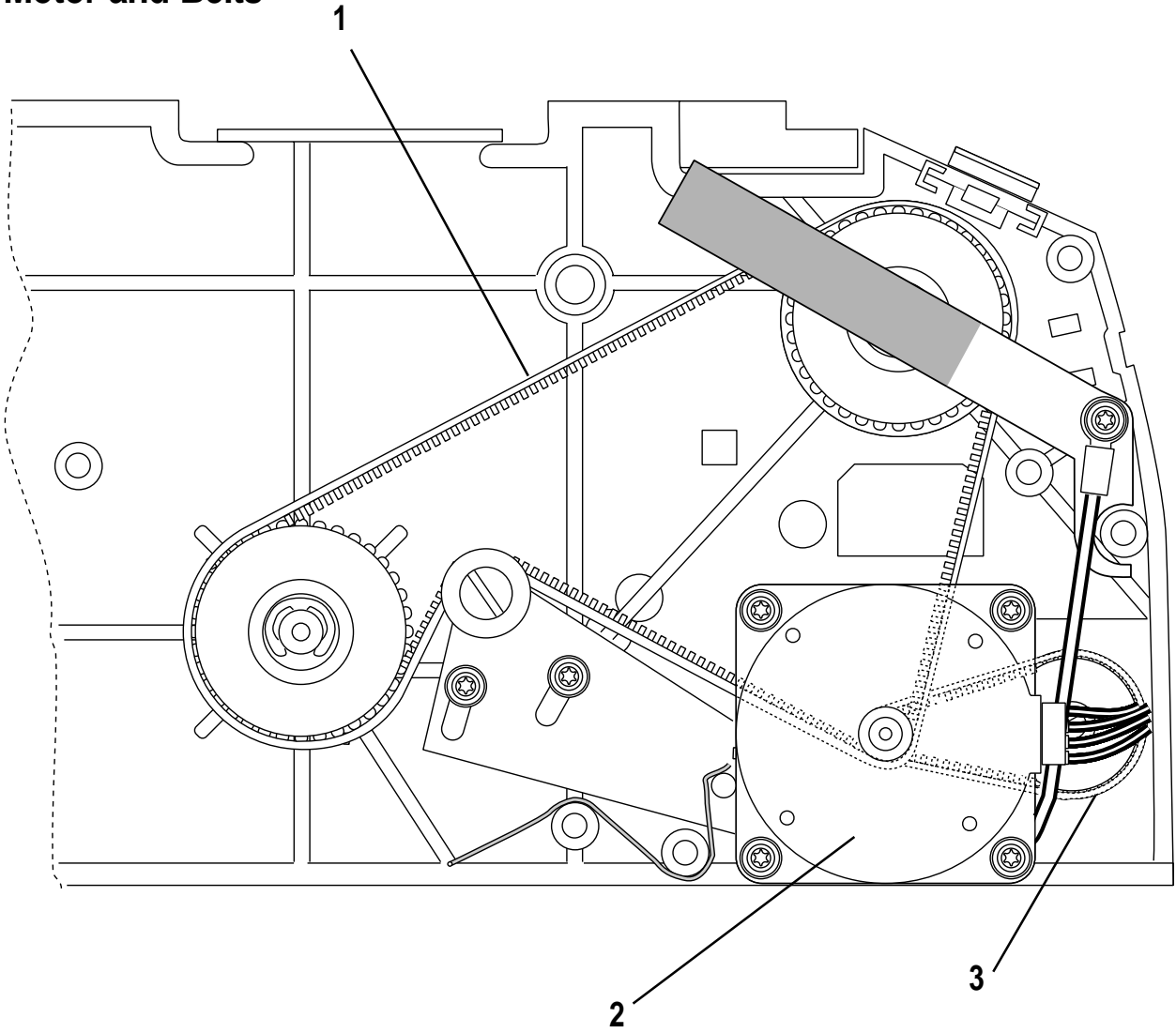
Pos.	Part No.	Description	Remarks
1	<b>1-301218-90</b>	Ribbon/Media Sensor assy.	Not for LinerLess model Only for LinerLess model
1	<b>1-301119-00</b>	Ribbon/Media Sensor assy.	
2	<b>1-301232-00</b>	Lock LSS	

## Label-Taken Sensor



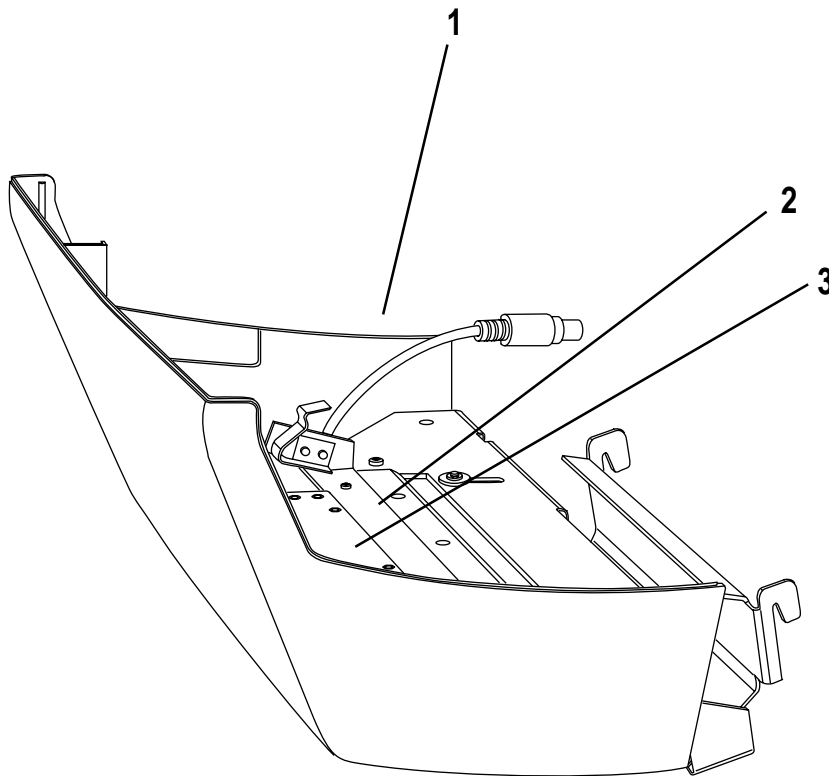
Pos.	Part No.	Description	Remarks
1	<b>1-301217-90</b>	Label-Taken Sensor assy.	Incl. casing and cable.
2	<b>1-301299-90</b>	Light Guide Kit (inside front cover)	Incl. 2 locking washers

Motor and Belts



Pos.	Part No.	Description	Remarks
1	1-301328-00	Belt – Main Drive ( <i>not in LinerLess model</i> )	Incl. pulley and cable
2	1-310363-00	Stepper Motor assy.	
3	1-301327-01	Belt – Platen Roller	

**Paper Cutter** (not in LinerLess model)



Pos.	Part No.	Description	Remarks
1	<b>1-301551-00</b>	Paper Cutter	Complete unit incl. installation instructions
2	<b>1-940550-00</b>	Cutter Unit sub-assy.	Hidden
3	<b>1-301705-25</b>	Cutter Control Board assy.	

## Miscellaneous (not illustrated)

Pos.	Part No.	Description	Remarks
–	<b>1-982731-00</b>	Mains Cable 2.4 m UL/CSA	U.S.S., Canada
–	<b>1-982756-00</b>	Mains Cable 2 m	U.K., Ireland
–	<b>1-982735-00</b>	Mains Cable 2.5 m EUR	European standard
–	<b>1-301326-90</b>	Rubber Feet Kit	4 pcs.
–	<b>1-301401-90</b>	Screw Kit	27 assorted screws
–	<b>0-493201-00</b>	Bar Code Wand	
–	<b>1-301523-90</b>	Printhead Cable 8 dots/mm	
–	<b>1-091122-06</b>	Serial Interface Cable	
–	<b>1-010001-00</b>	Parallel Interface Cable	
–	<b>1-110501-00</b>	Cleaning Card	25-pack
–	<b>1-965026-02</b>	Flash Memory Card 2 MB (empty)	
–	<b>1-965026-08</b>	Flash Memory Card 8 MB (empty)	
–	–	Font Card (various font collections)	Refer to Spare Parts List
–	–	Firmware Card	Refer to Spare Parts List



