

## Spare Parts & Options

P/N 1-960327-03  
Edition 3  
December 1998



# EasyCoder 201 II Bar Code Label Printer

**Intermec**  
Technologies Corporation

A **UNOVA** Company

# Intermec EasyCoder 201 II – Spare Parts & Options

## CONTENTS

---

Description	Page
Contents .....	1
Spare Parts Policy .....	2
Front Panel .....	3
Keyboard .....	4
Side Doors .....	5
Rear Panel .....	6
Paper Feed Mechanism (Standard) .....	7
Printhead Lift Mechanism (Standard) .....	8
Thermal Printhead .....	9
Paper Spool and Rewinder (Standard) .....	10
Print Mechanism (Big Roll Model) .....	11
Big Roll Model, Special Features .....	12
Power Supply .....	13
CPU-Board .....	14
Dual Serial Interface Kit .....	15
Parallel Interface Kit .....	16
RS 422/485 Serial Interface Kit .....	17
Industrial Interface Kit .....	18
Memory Card Adapter Kit .....	19
Sensor Kits .....	20
Paper Cutter Kit .....	21
Miscellaneous .....	22

*Intermec EasyCoder 201 II  
Spare Parts & Options  
Edition 3, December 1998  
Part No. 1-960327-03*

*© Copyright Intermec Printer AB, 1998. All rights reserved.  
Published in Sweden.*

*EasyCoder and Fingerprint are registered trademarks of Intermec  
Technologies Corp.*

## **SPARE PARTS POLICY**

---

This Spare Parts & Options catalogue contains information on items presently available as spare parts and accessories for the various *Intermec EasyCoder 201 II* printer models.

You will notice that, as a rule, we supply only assembled spare parts. Our policy is based on the conviction that this is a more rational way of stocking spares and supplying adequate service as well.

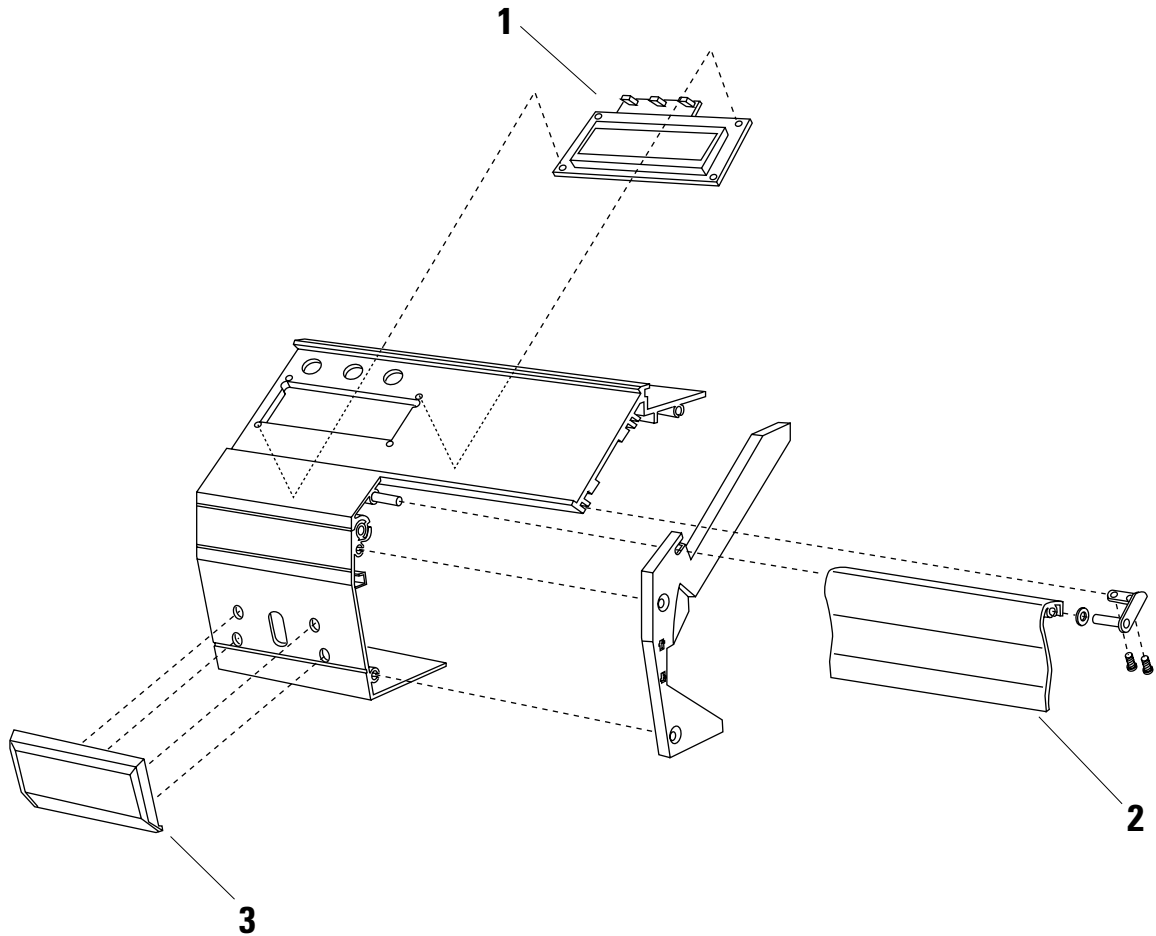
For further information about parts not listed in this volume, please contact our Spare Parts Sales Department.

Information in this manual is subject to change without prior notice and does not represent a commitment on the part of *Intermec*.

**For updated information,  
please refer to the latest edition  
of the Spare Parts Price List.**

# Intermec EasyCoder 201 II – Spare Parts & Options

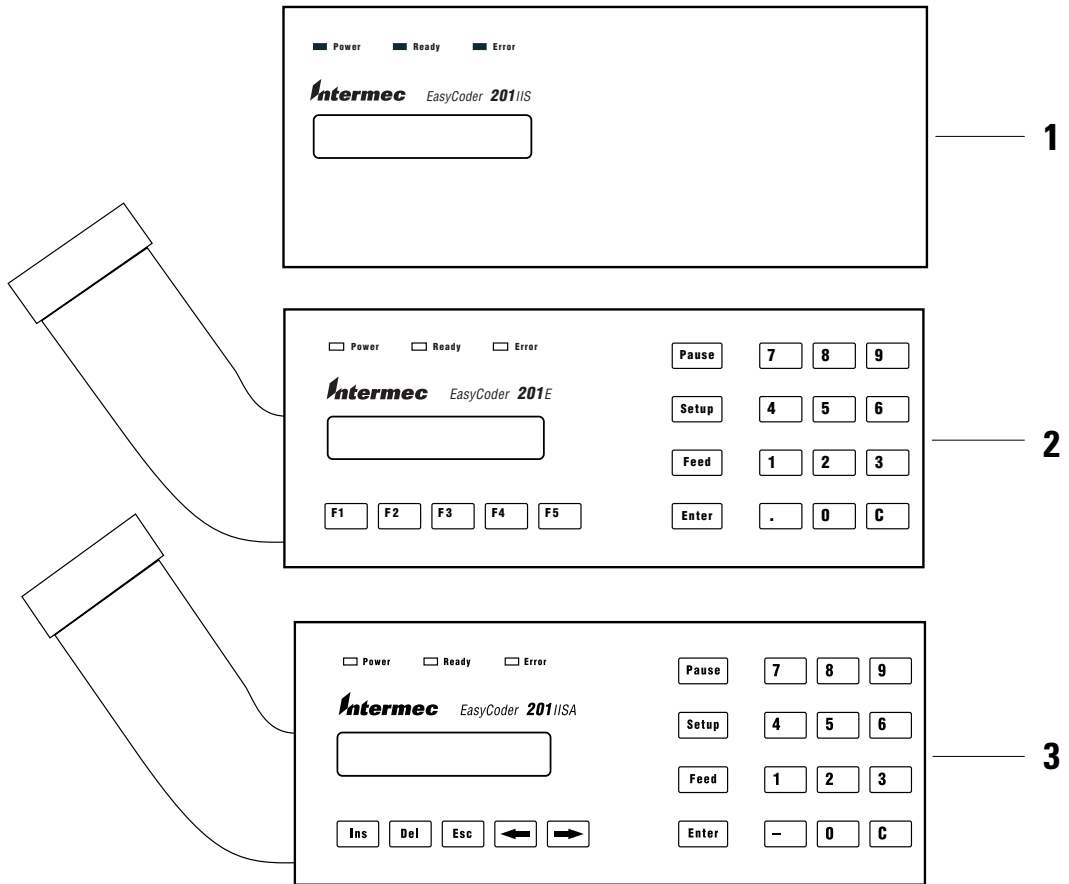
## FRONT PANEL



Pos.	Part No.	Description	Remarks
1	1-200704-50	Display Board assy.	Incl. cable and LEDs
2	1-200422-20	Front Lid	
3	1-200150-92	Print Key assy. (yellow)	Incl. spring, locking rings, print key, microswitch and cable.

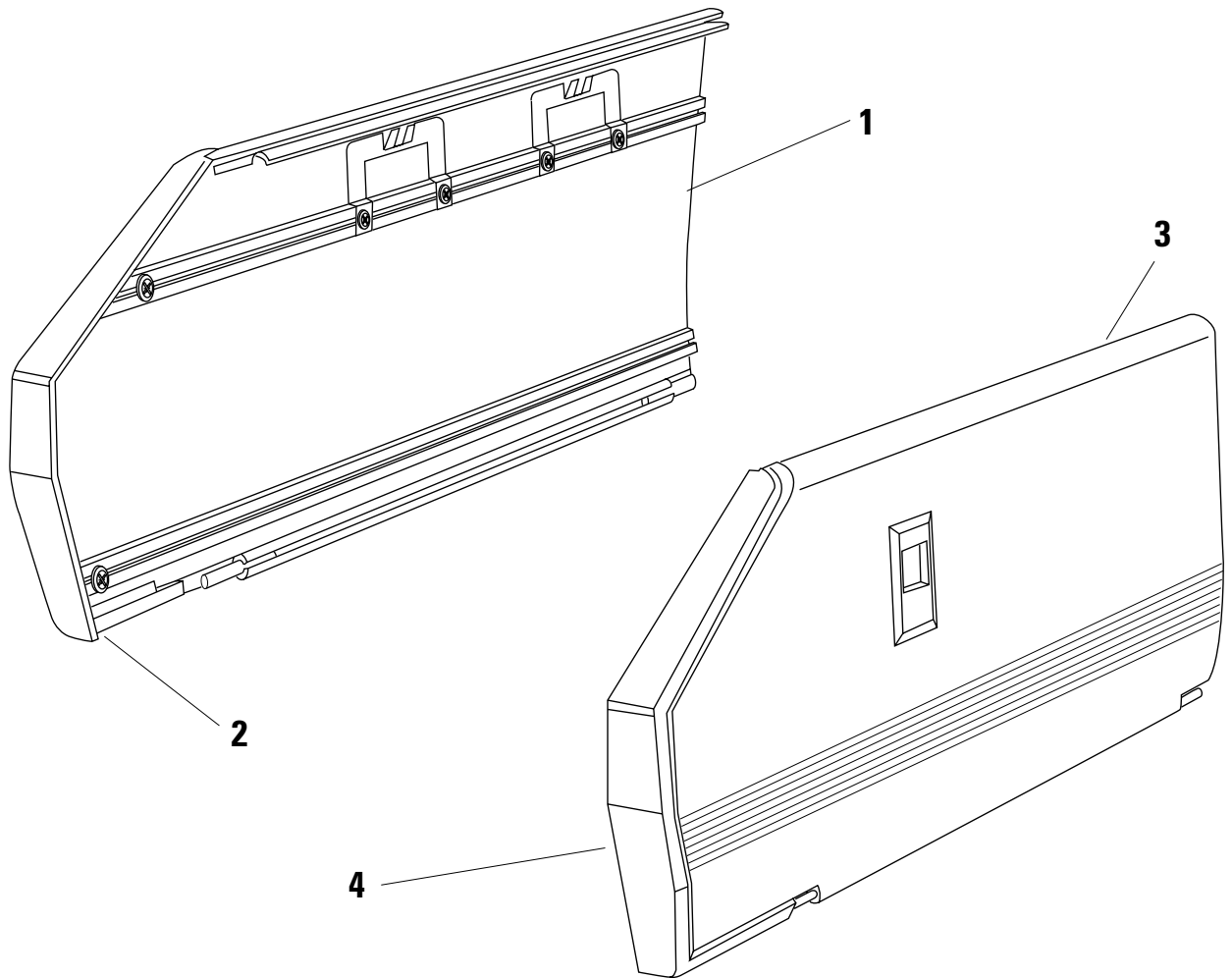
# Intermec EasyCoder 201 II – Spare Parts & Options

## KEYBOARD



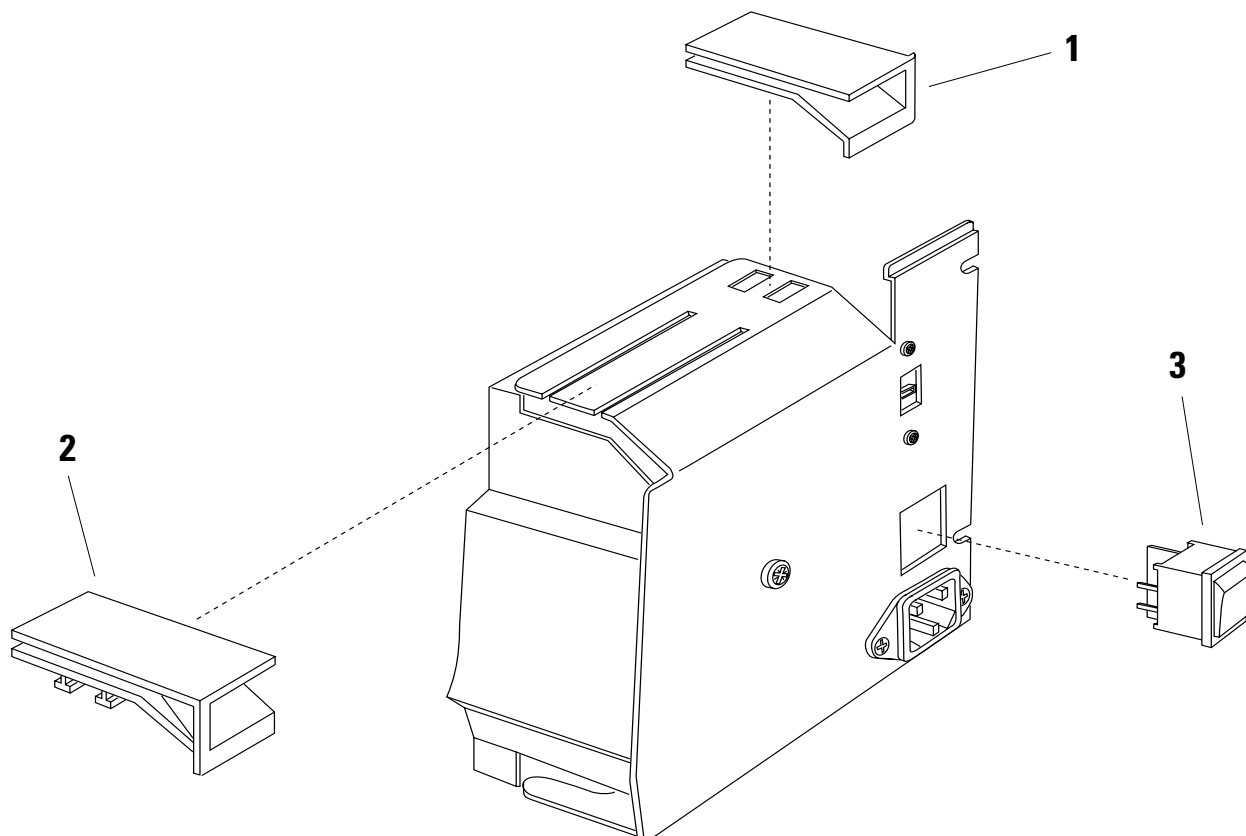
Pos.	Part No.	Description	Remarks
1	1-200470-10	Overlay EasyCoder 201 II S	English Text
2	1-200469-10 1-200471-10	Keyboard Slide EasyCoder 201 II E	English Text
3	1-200469-10 1-200471-15	Keyboard Slide EasyCoder 201 II SA	English Text

## SIDE DOORS



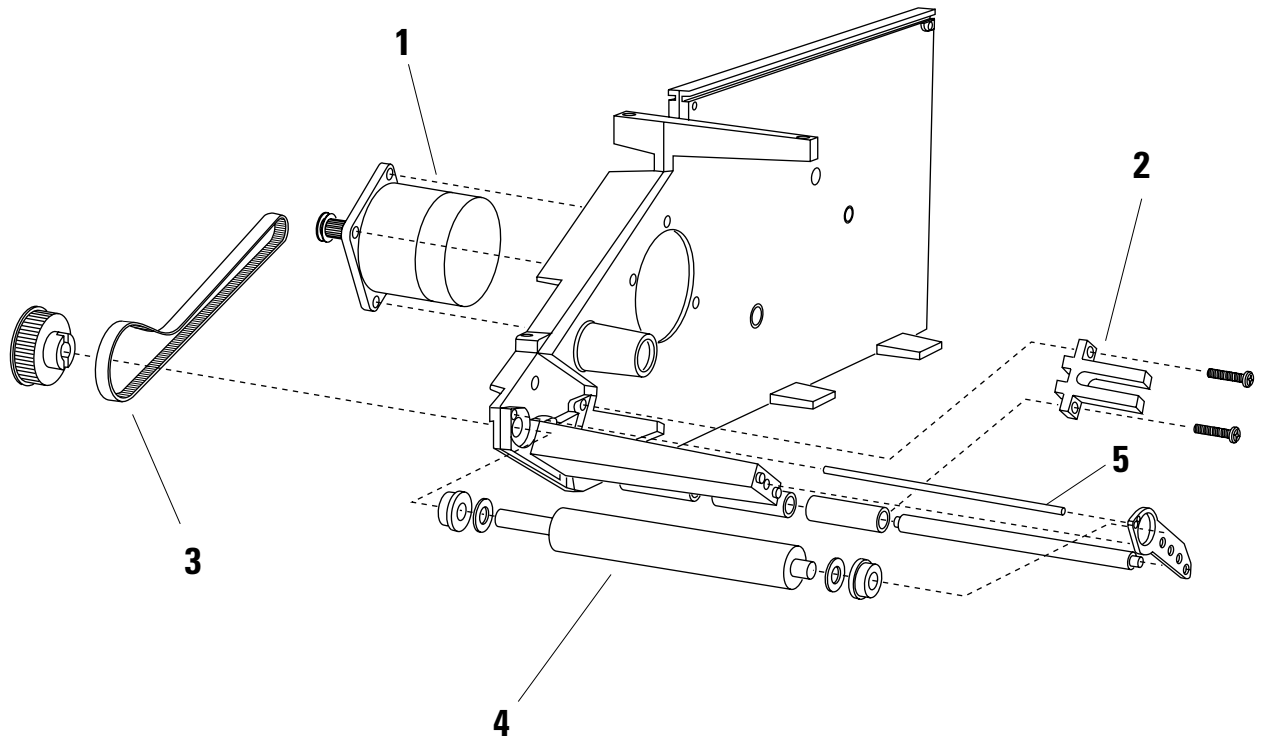
Pos.	Part No.	Description	Remarks
1	1-200083-60	Hatch Left assy.	Incl. moulding.
2	1-200461-30	Lid Moulding Left	
3	1-200082-60	Hatch Right assy.	Incl. moulding and lock.
4	1-200460-30	Lid Moulding Right	

## REAR PANEL



Pos.	Part No.	Description	Remarks
1	1-200452-00	Guide, Inner	
2	1-200453-00	Guide, Outer	
3	1-983345-00	Main Switch 2P	

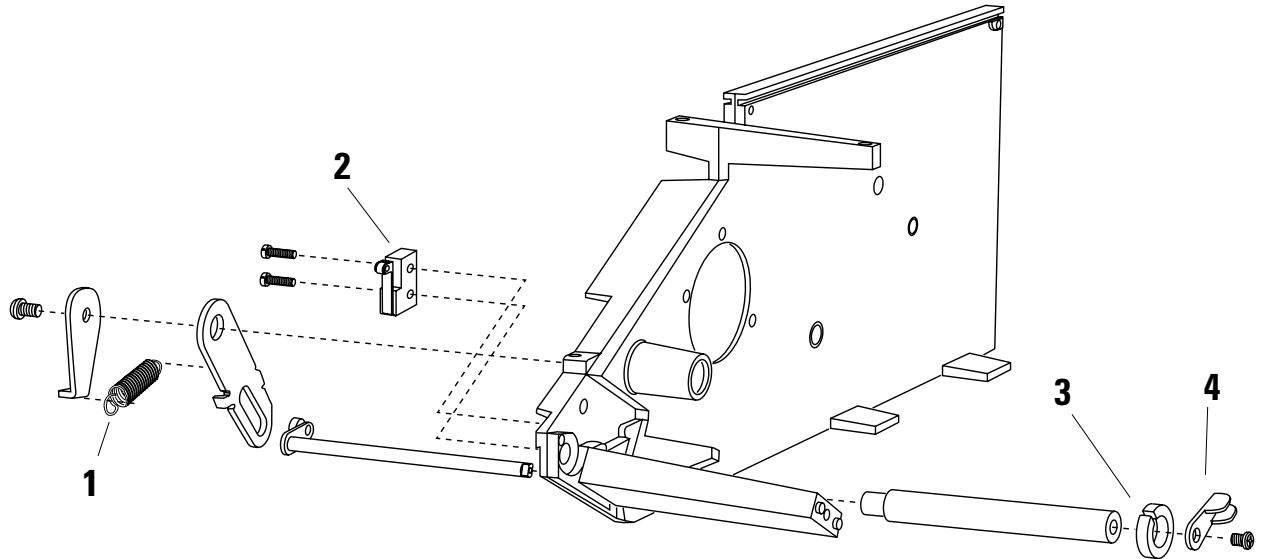
## PAPER FEED MECHANISM (STANDARD)



Pos.	Part No.	Description	Remarks
1	1-200153-03	Stepper Motor assy	Incl. pulley and cable. Incl. cable.
2	1-200950-00	Label Stop Sensor assy.	
3	1-990795-33	Tooth Belt T2.5-285-6	
4	1-200314-21	Print Roller	
5	1-200285-01	Dispenser Shaft	

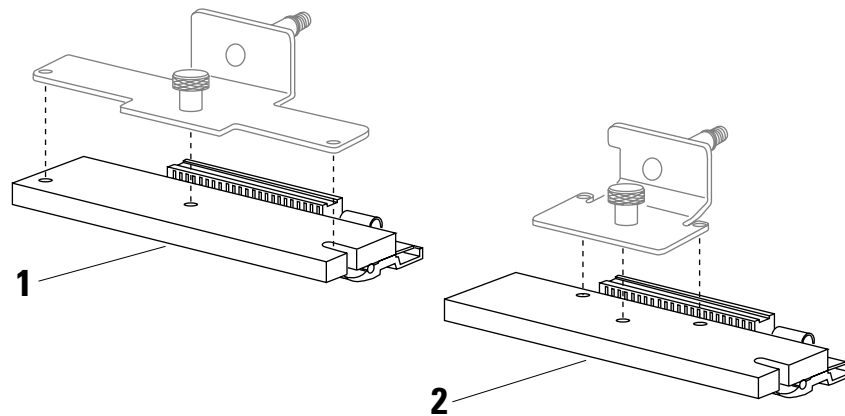


## PRINTHEAD LIFT MECHANISM (STANDARD)



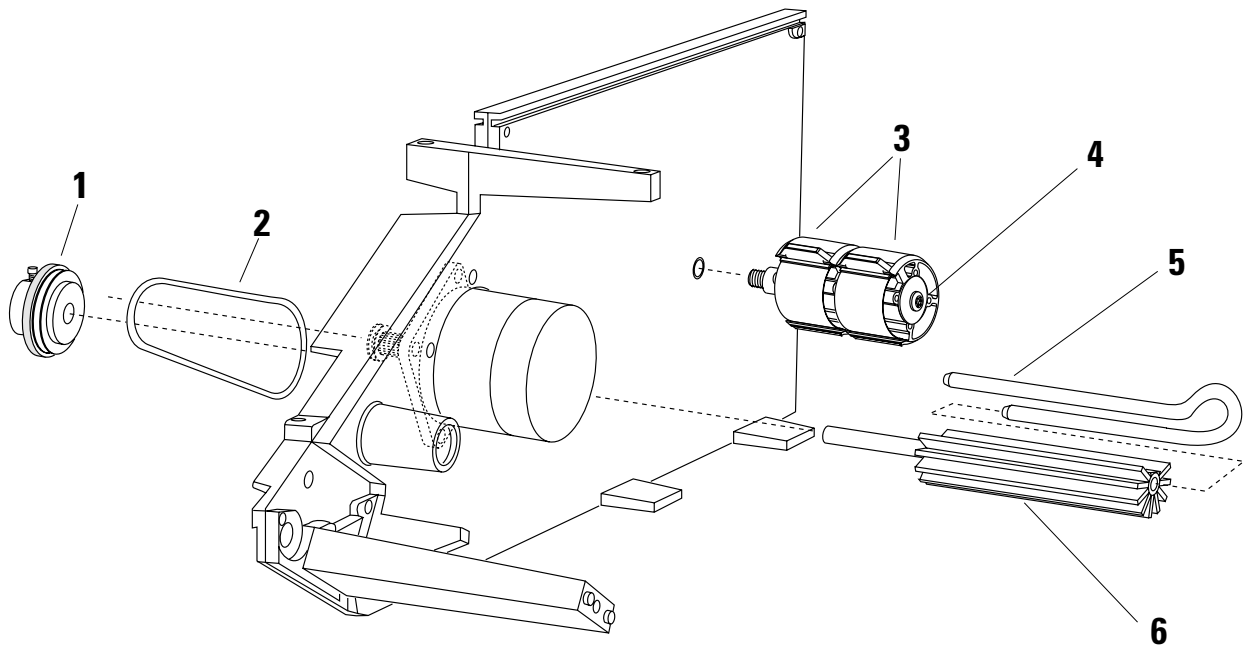
Pos.	Part No.	Description	Remarks
1	1-200316-00	Tension Spring	Incl. cable.
2	1-200957-10	Switch assy.	
3	1-880022-11	Guide Washer (Green)	
4	1-200291-10	Lifting Handle	

## THERMAL PRINTHEAD



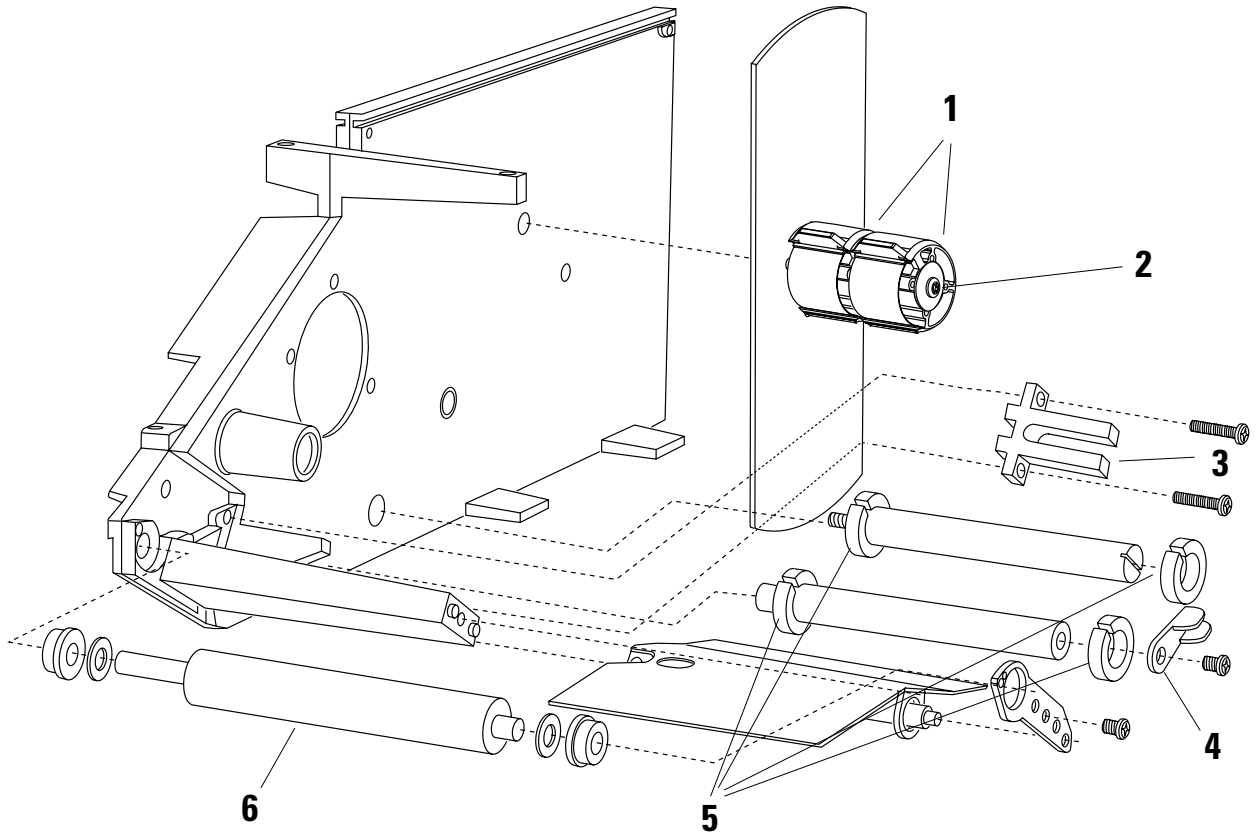
Pos.	Part No.	Description	Remarks
1	1-989125-90	Thermal Printhead 8 dots/mm (203.2 dpi)	
2	1-989115-90	Thermal Printhead 6 dots/mm (153.9 dpi)	
		<i>Note!</i> <i>Different types of bracket and cable!</i>	

## PAPER SPOOL AND REWINDER (STANDARD)



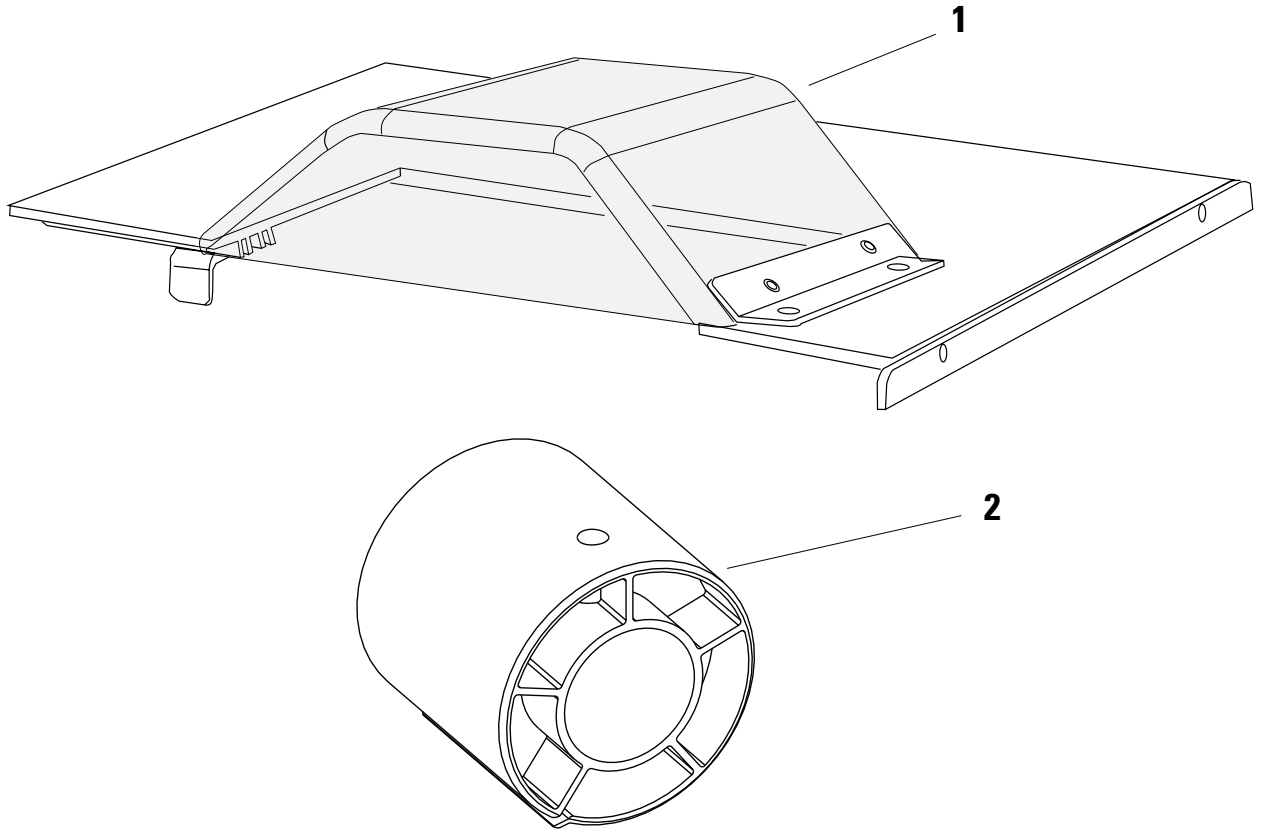
Pos.	Part No.	Description	Remarks
1	1-200170-10	Clutch assy.	Dispensing models only.
2	1-880051-00	Belt 3 x 207 mm	Dispensing models only.
3	1-150166-00	Bobbin assy.	
4	1-202102-10	Unwind assy.	Complete unit
5	1-200274-00	Clamp	Dispensing models only.
6	1-200165-10	Rewind assy.	Dispensing models only.
5+6	1-200165-90	Kit consisting of Clamp and Rewind assy.	Upgrading of old models

## PRINT MECHANISM (BIG ROLL MODEL)



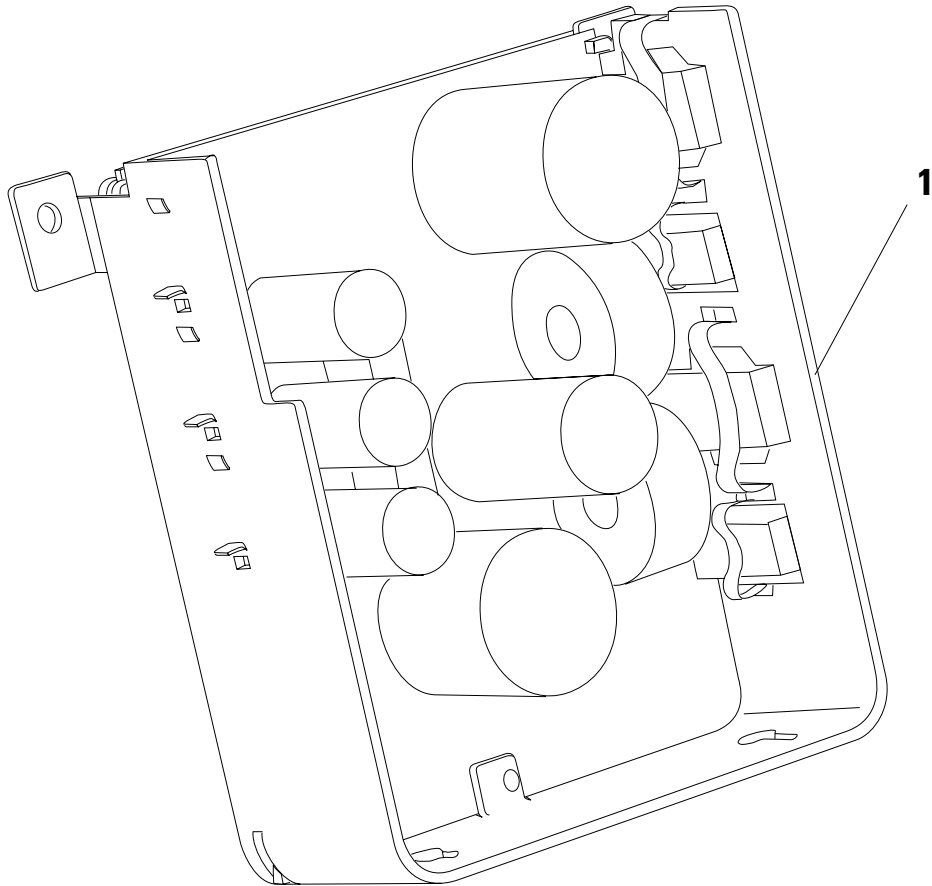
Pos.	Part No.	Description	Remarks
1	1-150166-00	Bobbin assy.	Also see page 10.
2	1-202100-00	Unwind assy.	
3	1-200950-00	Label Stop Sensor assy.	Also see page 7.
4	1-200291-10	Lifting Handle	Also see page 8.
5	1-880022-11	Guide Washer (Green)	Also see page 8.
6	1-200314-21	Print Roller	Also see page 7.
<p><i>Parts 1 and 3-6 are identical to those of the standard models, but are fitted in a different way.</i></p>			

## BIG ROLL MODEL, SPECIAL FEATURES



Pos.	Part No.	Description	Remarks
1	1-200457-90	Lid assy.	
2	1-040327-52	Bobbin 3" assy.	

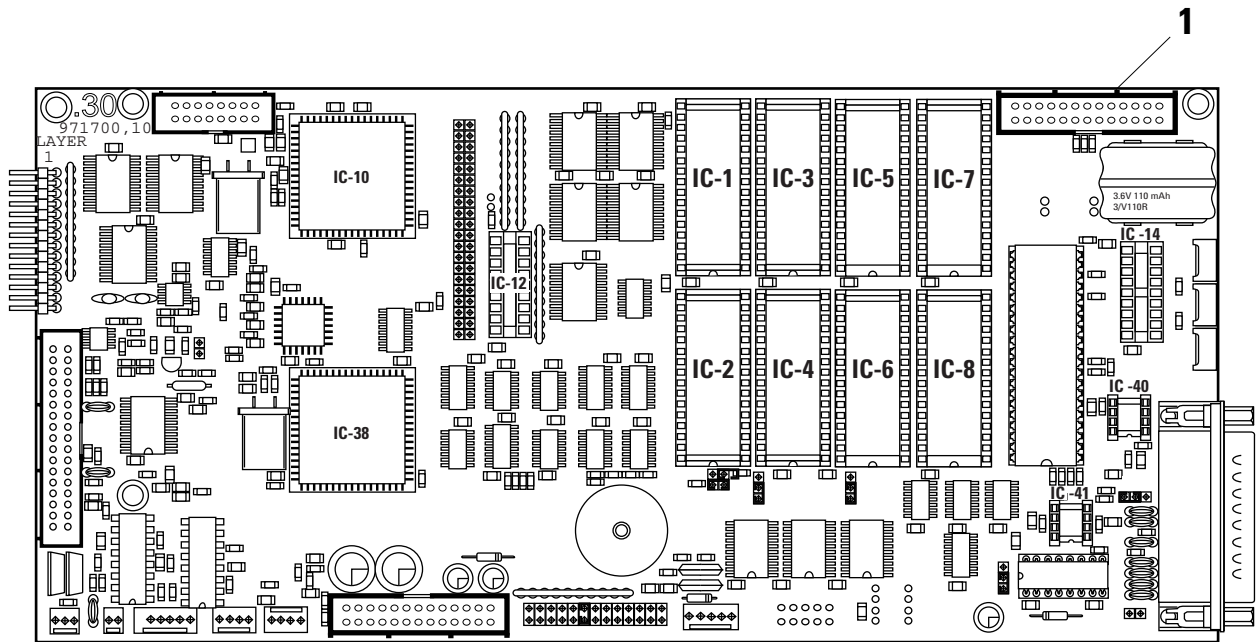
## POWER SUPPLY



Pos.	Part No.	Description	Remarks
1	1-200711-45	Power Supply assy. 230V/50Hz	Incl. fuses.
-	1-985157-19	Fuse 1.6A 5x20 FST IEC	115/230V
-	1-985157-25	Fuse 6.3A 5x20 FST IEC	115/230V

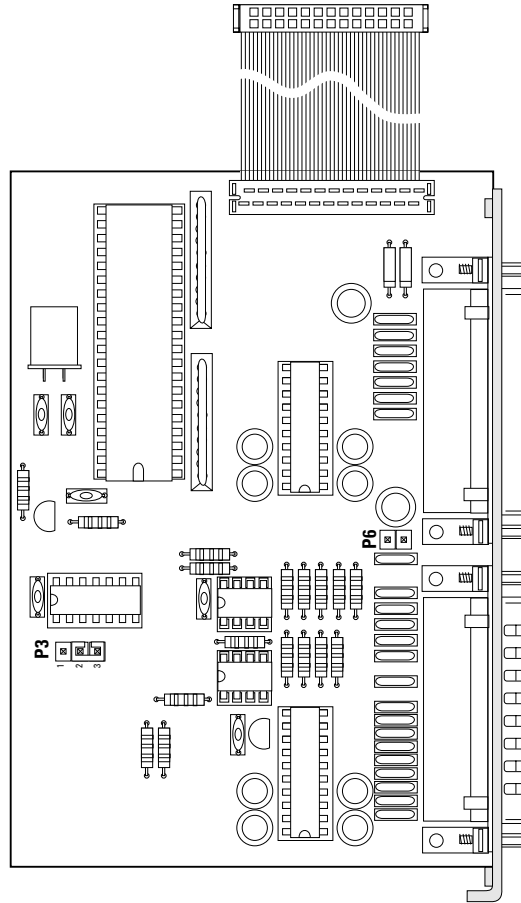
# Intermec EasyCoder 201 II – Spare Parts & Options

## CPU-BOARD



Pos.	Part No.	Description	Remarks
1	<b>1-971700-95</b>	CPU-board assy	Includes these circuits:
IC 10	<b>1-989539-15</b>	IC-32CG16-15	
IC 38	<b>1-989497-00</b>	IC-HPC 46083TEK/V20 YTM	
		<b>Accessories:</b>	
IC 1-4	–	Fingerprint 6.xx, application programs, fonts etc.	Various versions 128 kbyte each 512 kbyte each
IC 5-8	<b>1-989645-00</b>	IC-HN 628128 LP-10 RAM 1 Mb	
IC 5-8	<b>1-956029-10</b>	SRAM 4 Mbit HM628512ALP-7	
IC 12	<b>1-971809-00</b>	IC-GAL 16V8 (for 128 kbyte RAM)	
IC 12	<b>1-971812-00</b>	IC-GAL 16V8 (for 512 kbyte RAM)	
IC 14	<b>1-989518-00</b>	IC-RTC72421 Clock Circuit	Option
IC 40-41	<b>1-985319-00</b>	IC-6N139 Opto-coupler (20 mA Current Loop)	Option

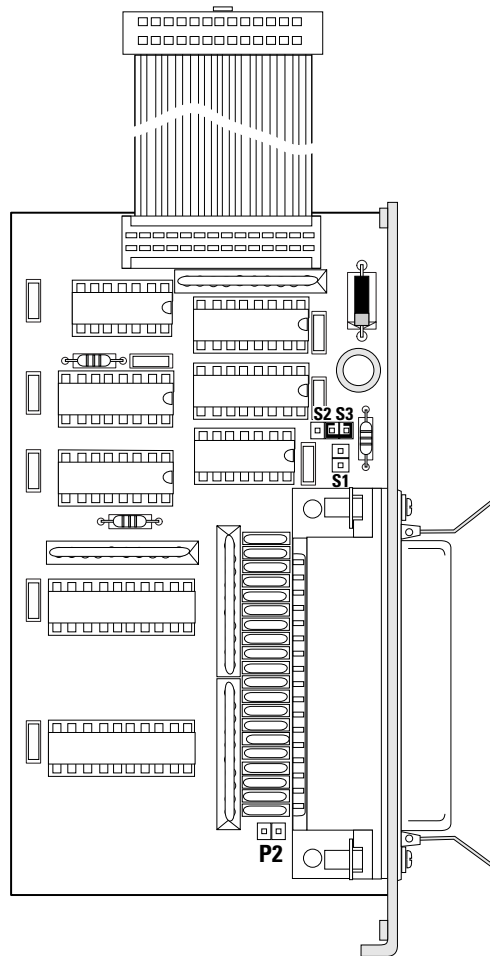
## DUAL SERIAL INTERFACE KIT



Pos.	Part No.	Description	Remarks
–	1-040554-00	Dual Serial Interface Kit	Incl. cable, cover plate and installation instructions.

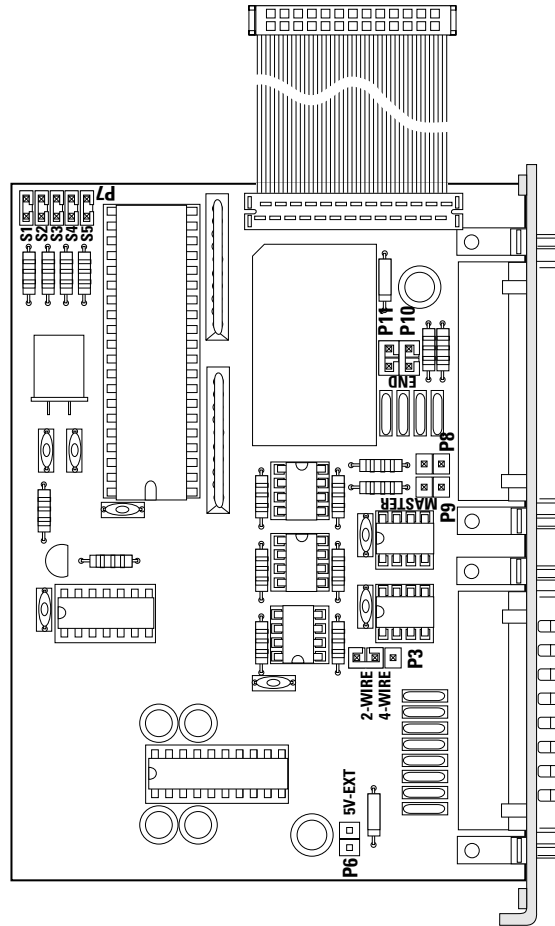


## PARALLEL INTERFACE KIT



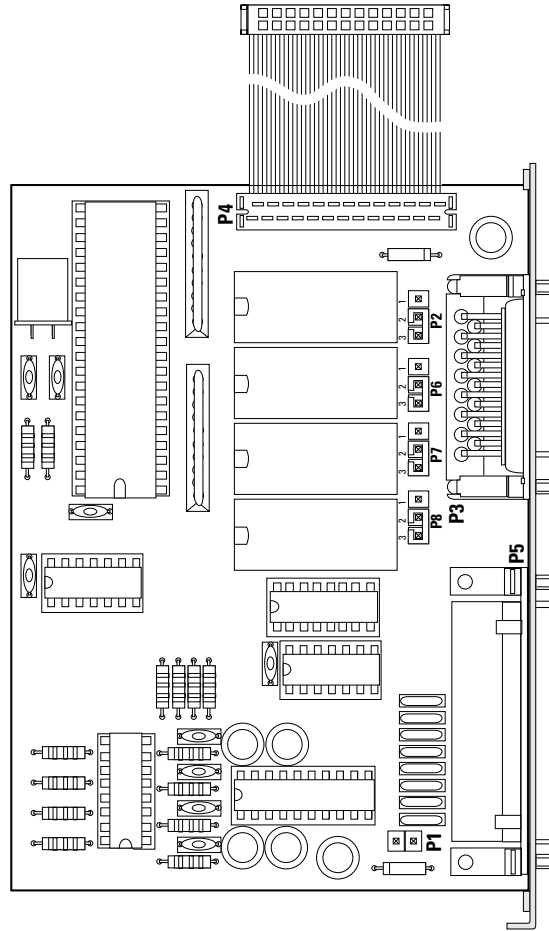
Pos.	Part No.	Description	Remarks
–	1-040553-00	Parallel Interface Kit	Incl. cable, cover plate and installation instructions.

## RS 422/485 SERIAL INTERFACE KIT



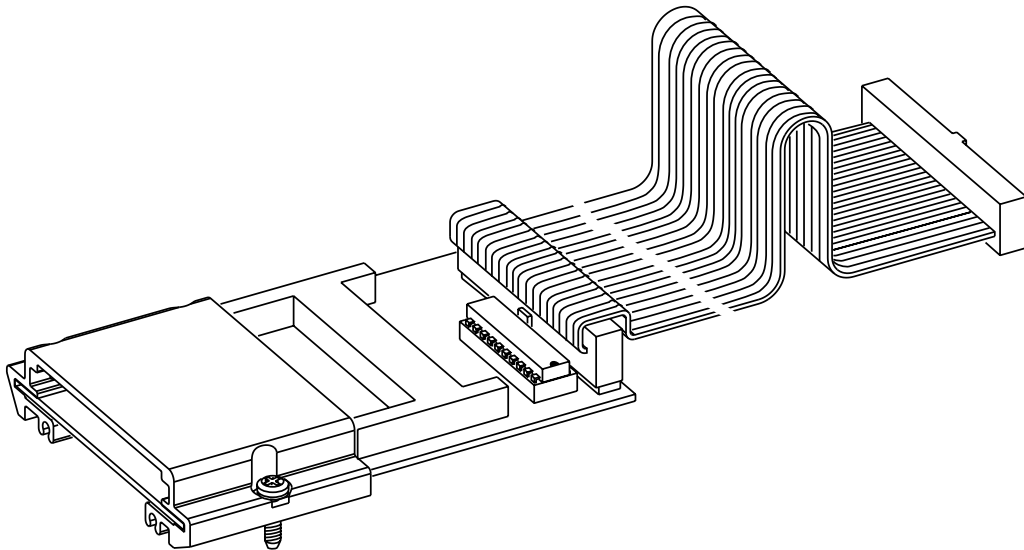
Pos.	Part No.	Description	Remarks
–	1-040557-00	RS 422/485 Serial Interface Kit	Incl. cable, cover plate and installation instructions.

## INDUSTRIAL INTERFACE KIT



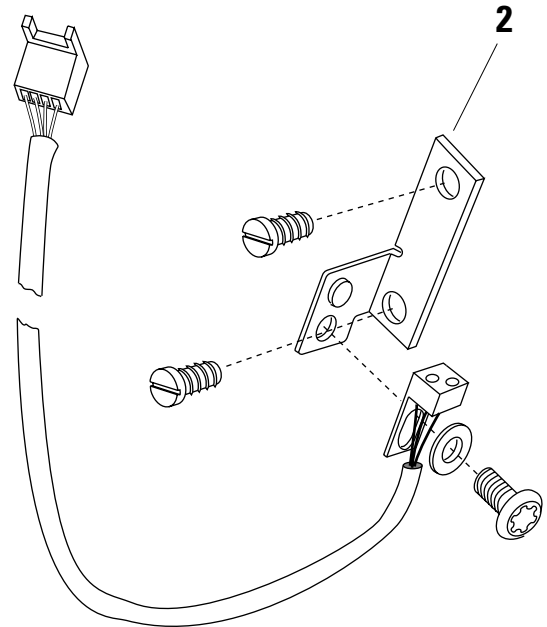
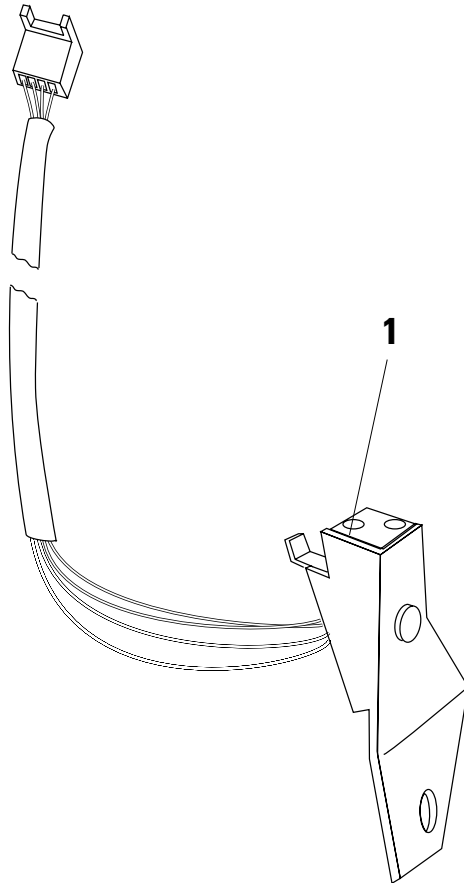
Pos.	Part No.	Description	Remarks
–	1-040558-00	Industrial Interface Kit	Incl. cable, cover plate and installation instructions.

## MEMORY CARD ADAPTER KIT



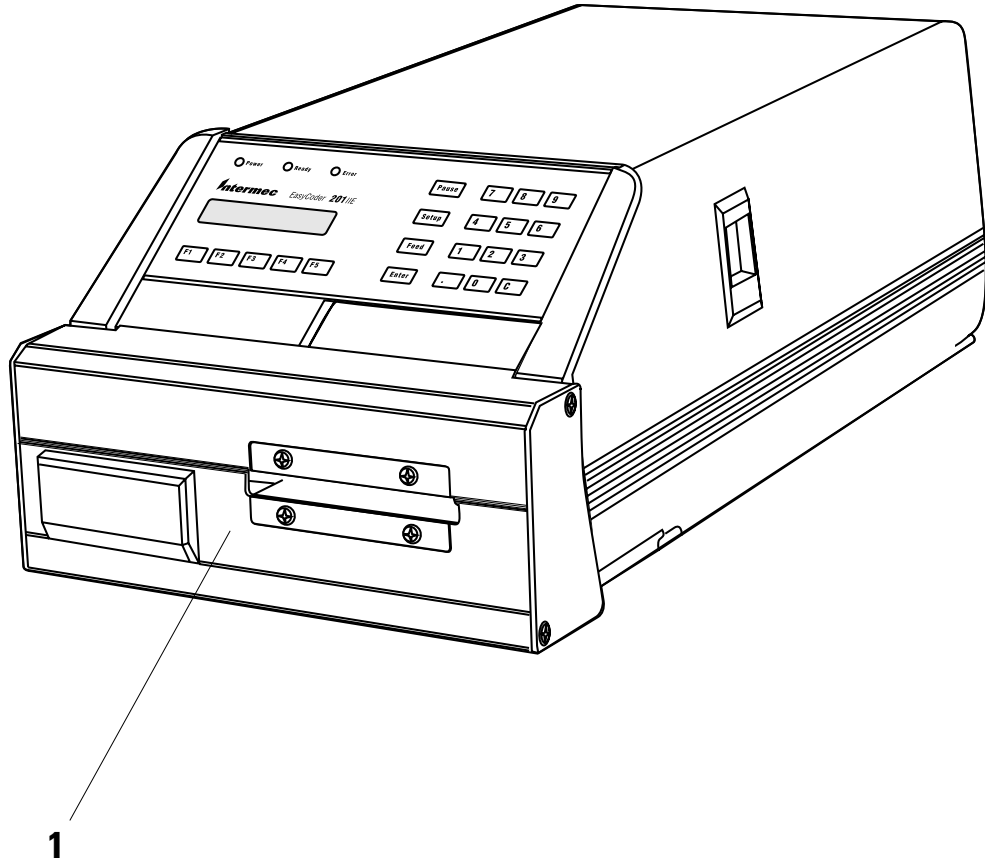
Pos.	Part No.	Description	Remarks
–	1-200556-00	Memory Card Adapter Kit	Complete unit including installation instructions.

## SENSOR KITS



Pos.	Part No.	Description	Remarks
1	1-010006-00	Label-Taken Sensor Kit	Complete unit w. cable and installation instructions
2	1-201550-01	Black Mark Sensor Kit	Complete unit w. cable and installation instructions

## PAPER CUTTER KIT



Pos.	Part No.	Description	Remarks
1	1-200070-00	Paper Cutter Kit	Complete unit incl. installation instructions. Not illustrated.
–	1-200154-00	Cutting Mechanism incl. motor	

# Intermec EasyCoder 201 II – Spare Parts & Options

## MISCELLANEOUS (not illustrated)

---

Pos.	Part No.	Description	Remarks
–	1-982735-00	Mains Cable 2.5 metres EUR	European standard
–	1-982756-00	Mains Cable 2.0 metres	U.K., Ireland
–	1-982731-00	Mains Cable 2.4 metres UL/CSA	U.S.A., Canada
–	1-010001-00	Parallel Interface Cable	3 metres (9.8 ft)
–	1-975580-05	Serial Interface Cable RS 232C DB25 -> DB25	3 metres (9.8 ft)
–	1-975581-05	Serial Interface Cable RS 232C DB25 -> DB9	3 metres (9.8 ft)
–	1-975554-05	Cable (Power Supply -> CPU Board)	26-p flat cable
–	1-200965-00	Cable (6 dot/mm Printhead -> CPU Board)	34-p flat cable
–	1-975555-17	Cable (8 dot/mm Printhead -> CPU Board)	34-p flat cable
–	1-992326-00	Rubber Foot	
–	1-110201-00	Cleaning Card	25-pack
–	1-993075-50	Torx Screwdriver T10/20 Combi	